

Depolarizer LHC & RHC Ku-Band

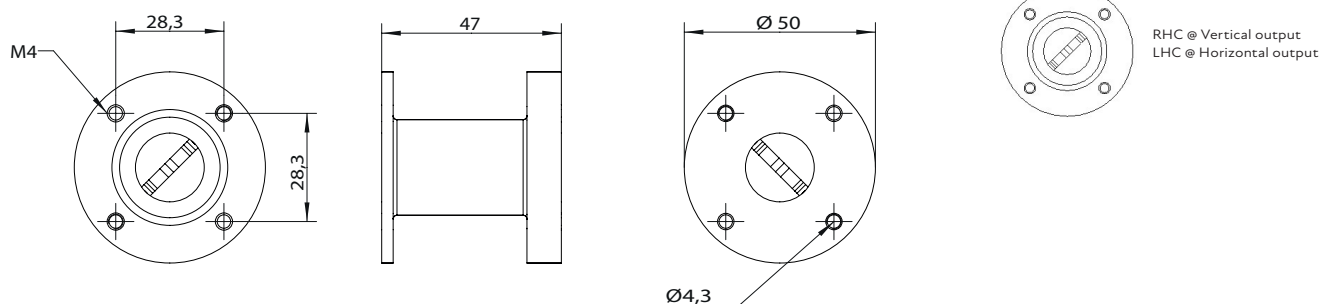
Swedish Microwave Partnr 230250



Description

Depolarizer converts circular polarizations LHC & RHC (Left Hand Circular & Right Hand Circular) to linear polarizations.

Matches SMW OMT, SMW Twin and SMW Quattro. Use SMW Depolarizer + OMT Ku + LNB (WR75) + Waveguide cover (horizontal) to receive one circular polarization only.



Technical specifications

| | |
|------------------------------|---|
| MODEL: | Depolarizer LHC & RHC Ku-Band |
| Polarization | Circular LHC & RHC together with SMW Twin/OMT |
| Frequency Range | 10.70 - 12.75 GHz |
| VSWR | 1.25:1 typ. |
| Transmission Loss | 0.1 dB typ. |
| Cross Polarization Rejection | 20 dB typ. |
| Waveguide | C120 (circular waveguide 18 mm) |
| Material | Aluminium (black anodized) |
| Temperature Range | Storage and operating: - 40° to + 80° C |
| Weight | 90 g |
| Dimensions | L = 47 mm, Ø 50 mm, for drawing, see www.smw.se |



Explore our full
product range
in this category

