

X LNB 7.25-8.50 GHz Satcom / TLT / E.O. PLL models

Key features



- Very Low Noise Figure
- Excellent Input VSWR
- High P1dB and IP3
- Low Phase noise meets DVB-S2X VSAT profile.
- Wide operating temperature range
- Internal filtering (model 6.30)
- E.O. models with CF 720, 1200 or 1500MHz

Description

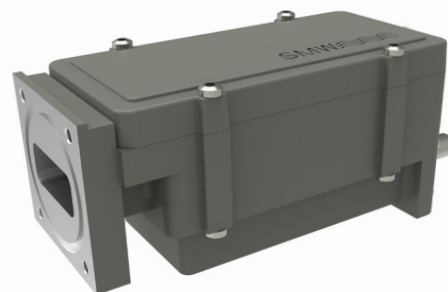
The professional X-Band PLL LNB comes standard with Low Phase Noise to meet DVB-S2X Professional services. The LNB features VERY LOW input VSWR to avoid the need of an external isolator. The X-band PLL LNB models cover the frequency range 7.25 to 8.50 GHz with fixed gain of 60 dB typ. (55 dB min.) or gain by request

Available with Internal LO ref. or with External 10 MHz ref. input. Optional you can order X-Band LNB with Fiber-optic output (single mode fiber).

For more detailed information, ask for product sheet of each model.



With optional CPR 112G adapter



With optional direct fiberoptic output



Explore our full
product range
in this category



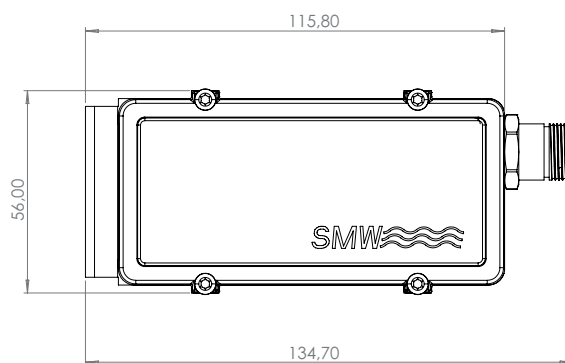
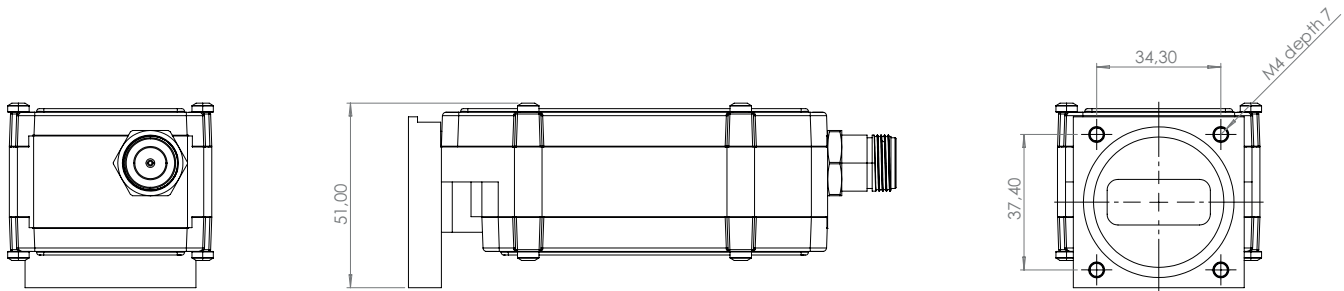
X LNB 7.25-8.50 GHz Satcom / TLT / E.O. PLL models

Technical specifications

| | Name | Input Frequency | LO Frequency | Output Frequency | Suggested application |
|----------|--------------------------------|---|---------------|------------------------|-----------------------|
| MODEL | 6.30 | 7.25 - 7.75 GHz | 6.30 GHz | 950 - 1450 MHz | Satcom |
| | 6.80 | 7.75 - 8.50 GHz | 6.80 GHz | 950 - 1700 MHz | Satcom/TLT |
| | 6.95 | 7.90 - 8.50 GHz | 6.95 GHz | 950 - 1450 MHz | Satcom/TLT |
| | 6.50 | 7.68 - 8.32 GHz | 6.50 GHz | CF 1500, 1180-1820 MHz | E.O. |
| | 6.95 | 7.75 - 8.50 GHz | 6.95 GHz | CF 1200, 800-1550 MHz | E.O. |
| | 7.22/7.52 | 7.75-8.13/8.05-8.43 GHz | 7.22/7.52 GHz | CF 720, 530 - 910 MHz | E.O. |
| INPUT | Input WG | Waveguide WR112 / R84. Flange PBR 84 | | | |
| | Input VSWR | 1.5:1 max. | | | |
| | DC Input | +12 to +24 V. Supplied through output connector | | | |
| | Current drain | 190 mA @ 13V, 160 mA @ 15V, 140 mA @ 18V, 110 mA @ 24 V typ. | | | |
| | Input max power | 0 dBm instantaneous (not continuous) NOTE! Only valid for SATCOM | | | |
| | LO Leakage | -60 dBm max. @ waveguide input | | | |
| INTERNAL | Gain | 60 dB typ. (55 dB min.), 0 dB or by request for TLT | | | |
| | Noise figure | 0.69 dB / 50 K max., 0.6 dB / 43 K typ. | | | |
| | MODELS with Internal reference | ± 0.5 ppm -20 to +70°C (± 1 ppm -40 to +80°C), ± 1 ppm -20 to +70°C (± 1.5 ppm -40 to +80°C) | | | |
| | MODELS with External reference | Sine Wave, Level -10 to +10 dBm. Supplied through output connector. With no ext 10 MHz ref. signal present LO shifts -20 ppm. | | | |
| | Phase Noise | -35dBc/Hz • 10 Hz -65dBc/Hz • 100 Hz -85dBc/Hz • 1 kHz -90dBc/Hz • 10 kHz -100dBc/Hz • 100kHz -128Bc/Hz • ≥ 1 MHz typ. | | | |
| | Group delay | ± 1 ns max. | | | |
| | Out of band rejection | 20 dB min. NOTE! Only valid for SATCOM | | | |
| OUTPUT | Image rejection | 60 dB min @ LO 6.30, 40 dB min. other models except model 7.22/7.52 (30 dB min.) | | | |
| | Output P1dB | +15 dBm typ. | | | |
| | Output IP3 | +25 dBm typ. | | | |
| | Output VSWR | 1.7:1 max. | | | |
| | Output Connector | F-type 75 Ω , N-type 50 Ω or SMA-type 50 Ω | | | |
| GENERAL | Temperature range | Storage and operating: -40 to +80°C, -40 to 176° F | | | |
| | Dimensions | 130 x 56 x 51 mm (F- & SMA-connector), 135 x 56 x 51 mm (N-connector), for drawing, see www.smw.se | | | |
| | Weight | 353 g WR112, 420 CPR112G (F- & SMA-connector), 369 g WR112, 446 CPR112G (N-connector) | | | |
| | MTBF | MTBF as per MIL-HDBK-217F Notice 2: Environmental Condition GF (Ground Fixed): >489000 hours, Environmental Condition AIC (Airborne, Inhabited, Cargo): >245000 hours, Quality level: Commercial, Temp used for MTBF calculation: +35 C Ambient | | | |
| OPTIONS | Miscellaneous | Enclosed conductive O-ring, mounting screws M6 x 25, washers and nuts 10 pcs. | | | |
| | | <ul style="list-style-type: none"> - Separate SMA connector for DC input and/or Ext. 10 MHz ref. - Custom LO - CPR 112G adaptor - Custom gain and gain variation | | | |

X LNB 7.25-8.50 GHz Satcom / TLT / E.O. PLL models

Technical Drawing



With optional CPR112G adaptor

