

X LNB 7.90 - 8.50 GHz 1 Band SATCOM TLT

Key features



- Very Low Noise Figure
- Excellent Input VSWR
- High P1dB and IP3
- Low Phase noise meets DVB-S2X profile.
- Wide operating temperature range
- Compact size and light weight



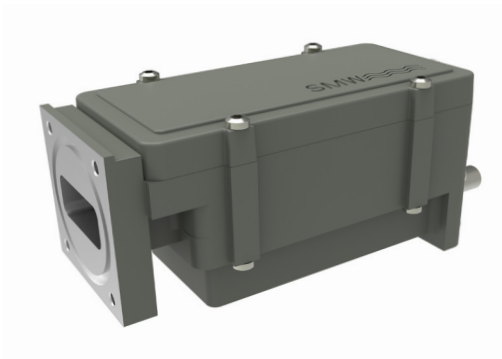
Description

The professional X-Band PLL LNB comes standard with Low Phase Noise to meet DVB-S2X Professional services. The LNB features VERY LOW input VSWR to avoid the need of an external isolator. The X-band PLL LNB model 6.95 cover the frequency range 7.90 to 8.50 GHz with standard gain of 0 dB typ. or gain by request.

Available with Internal LO ref. or with External 10 MHz ref. input. Optional you can order this LNB with Fiber-optic output (single mode fiber.)



With optional CPR 112G adapter



With optional direct fiberoptic output



Explore our full
product range
in this category



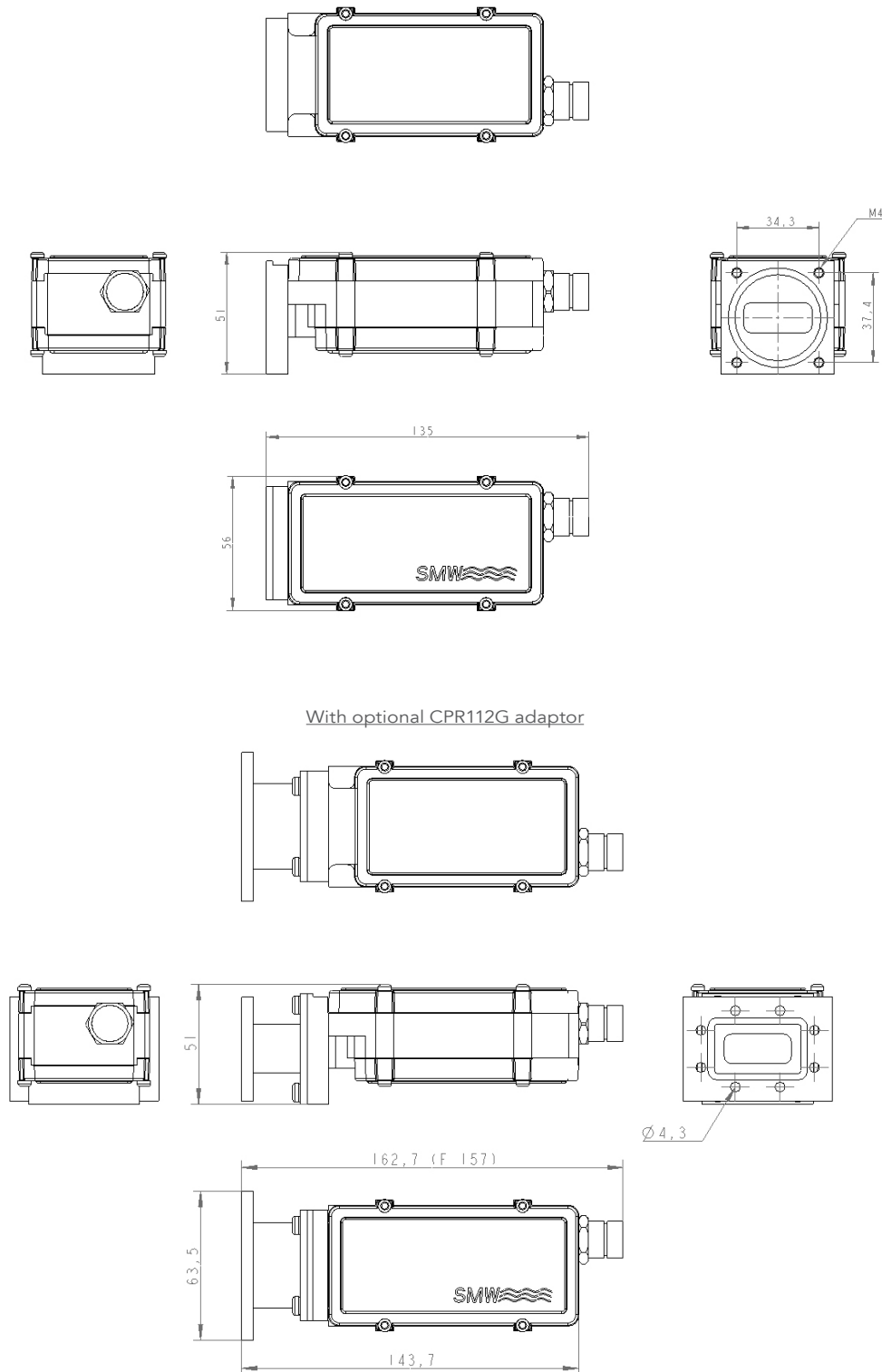
X LNB 7.90 - 8.50 GHz 1 Band SATCOM TLT

Technical specifications

	MODEL/LO	6.95
	Input freq. GHz	7.90 - 8.50 GHz
	Input	WR 112 / R 84. Flange PBR 84
INPUT	Pressurizable	0.1 bar max. (option)
	Input max power	0 dBm instantaneous (not continuous)
	DC Input	+12 to +24 V supplied through output connector
	Current drain	190 mA @ +13 V, 160 mA @ +15 V, 140 mA @ +18 V, 110 mA @ +24 V
	Input VSWR	1.5:1 max.
INTERNAL	LO ref.	Internal or External 10 MHz ref. Note! Different models
	MODELS with External LO ref.	Sine Wave, Level -10 to +10 dBm. Supplied through output connector. With no ext 10 MHz ref. signal present LO shifts -20 ppm.
	MODELS with Internal LO ref.	±0.5 ppm -20 to +70°C (±1 ppm -40 to +80°C), ±1 ppm -20 to +70°C (±1.5 ppm -40 to +80°C)
	LO Leakage	-60 dBm max. @ waveguide input
	Gain	0 dB typ. as standard or by request.
	Flatness	±0.4 dB within 30 MHz, ±2 dB max. over band
	Noise figure	19.90 dB / 28000K @ 0dB gain max.
	Phase Noise	-35 dBc @ 10 Hz -65 dBc @ 100 Hz -85 dBc @ 1 kHz -90 dBc @ 10 kHz -100 dBc @ 100 kHz -128 dBc @ >1 MHz typ.
	Group delay	± 1ns max.
	Out of band rejection	20 dB min.
	Image Rejection	60 dB min.
OUTPUT	IF output	950-1550 MHz
	Output P1dB	+5 dBm typ.
	Output IP3	+15 dBm typ.
	Output VSWR	1.7:1 max. @ 50 ohm
	Output Connector	N-type 50Ω , SMA-type 50Ω or F-type 75Ω
GENERAL	Dimensions	130 x 56 x 51 mm (F- & SMA-connector), 135 x 56 x 51 mm (N-connector)
	Weight	353 g WR112, 420 g CPR112G (F- & SMA-connector) 369 g WR112, 446 g CPR112G (N-connector)
	MTBF	MTBF as per MIL-HDBK-217F Notice 2: Environmental Condition GF (Ground Fixed): >489000 hours, Environmental Condition AIC (Airborne, Inhabited, Cargo): >245000 hours, Quality level: Commercial, Temp used for MTBF calculation: +35 C Ambient
	Temperature range	Storage and operating: -40 to +80°C, -40 to +176° F
	Miscellaneous	Enclosed conductive O-ring, mounting screws (M4 x 10) 4 pcs
OPTIONS	Options	Separate SMA connector for DC input or Ext. 10 MHz reference Customized gain CPR 112 G flange adaptor Extended IF Fiberoptical output

X LNB 7.90 - 8.50 GHz 1 Band SATCOM TLT

Technical Drawing



Professional Satcom Frequency Converters & Components. All products are fully CE and RoHS compliant and every unit includes full documentation of performance tests and quality control. Please contact sales@smw.se to configure or customize the unit to your needs. Visit smw.se or scan QR code to see our full product range and request a quote.

