

Diplexer 10 MHz and L-band

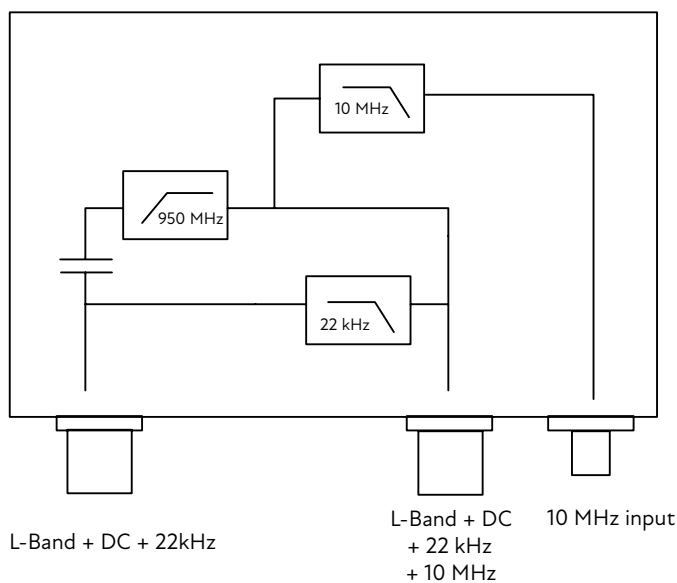
Key features



- Low through loss for L-Band
- Outdoor rated (IP 67)
- Wide operating temperature range
- 10 MHz/L-Band diplexing
- Passive ie no need of DC
- Available with F, N or SMA connectors

Description

The L-Band / 10 MHz diplexer is used when an external 10 MHz reference signal input is needed for an LNB or BUC. Used together with SMW 10 MHz ref. oscillator or other 10 MHz signal source. Available with F, N or SMA connectors.



Explore our full
product range
in this category



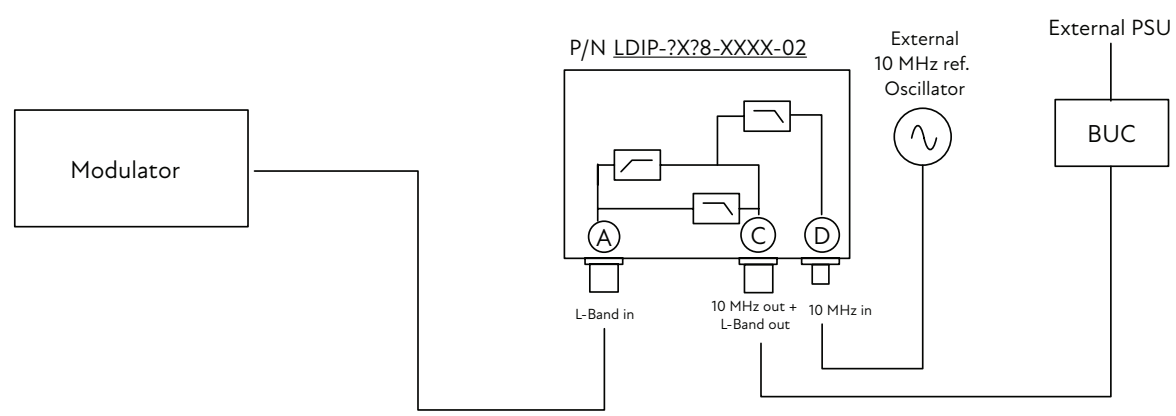
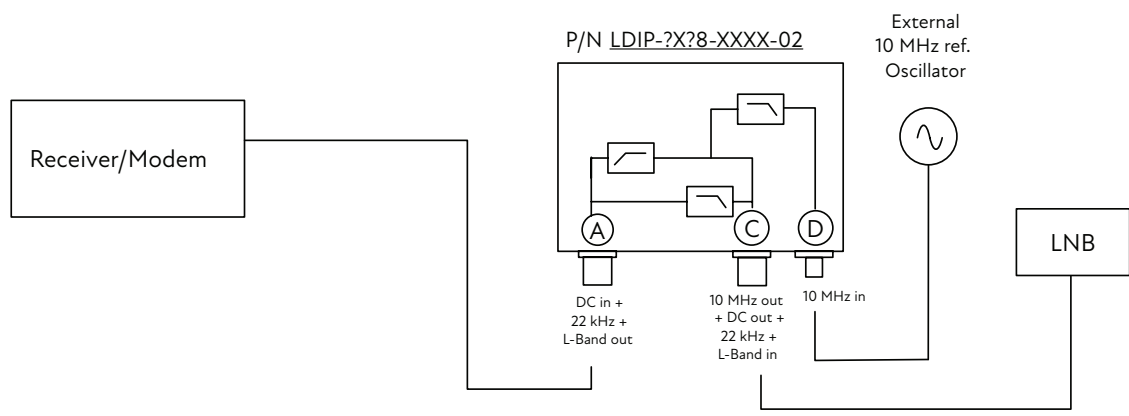
Diplexer 10 MHz and L-band

Technical specifications

GENERAL	L-Band Frequency	950-2150 MHz
	DC in to out	+13 to +28 V
	Maximum load	1 A
	Insertion loss	1 dB @ 950-2150 MHz max.
	Return Loss @ 10 MHz	> 20 dB Input to Output
	Return loss L-Band	N- and SMA-connector: min. 10dB, typ 15 dB, with F connector min. 8dB, typ. 13 dB
	Group delay L-Band	± 1 ns max.
	10 MHz Harmonic Suppression	> 70 dBc @ L-Band output, > 40 dBc @ separate 10 MHz output
	Dimensions	96 x 28 x 89 mm (N connectors)
	Weight	209 g (F & SMA connectors), 249 g (N connectors)
	Temperature Range	Storage and operating: -40 to +80°C, -40 to +176°F
	MTBF	MTBF as per MIL-HDBK-217F Notice 2: Environmental Condition GF (Ground Fixed): >9000000 hours, Environmental Condition AIC (Airborne, Inhabited, Cargo): >45000000 hours, Quality level: Commercial, Temperature used for MTBF calculation: +35°C Ambient
	Ingress protection code	IP 67
INTERFACES	22 kHz bypass	Through receiver or external source, n/a with DC Block IN or OUT
	Input connector (A)	SMA-type 50Ω female, N-type 50Ω female or F-type 75Ω female
	Output Connector (C)	SMA-type 50Ω female, N-type 50Ω female or F-type 75Ω female
	10 MHz connector (D)	SMA-type 50Ω female

Diplexer 10 MHz and L-band

Installation example



Part number designation for the 10 MHz Diplexer

Model	Connector A		Sep. DC input B		Connector C		Connector D		DC Block A	DC Block C	Future use	Future use	Version
LDIP	?		X	N/A	?		8		X	X	X	X	02
	0	F	X	N/A	0	F	8	SMA (only)	X	No DC block			
	5	N			5	N			1	DC block			
	8	SMA			8	SMA							

Example: L-Band out + DC + 22 kHz in(N), L-Band in + DC + 22 kHz out (N), 10 MHz input (SMA), = LDIP-5X58-XXXX-02

C-BAND

X-BAND

KU-BAND

KA-BAND

Q/V-BAND

RFoFIBER

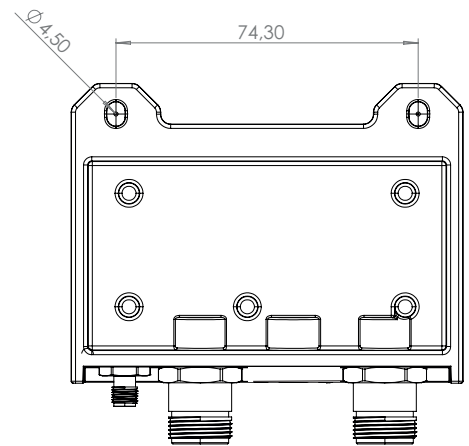
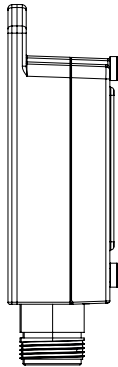
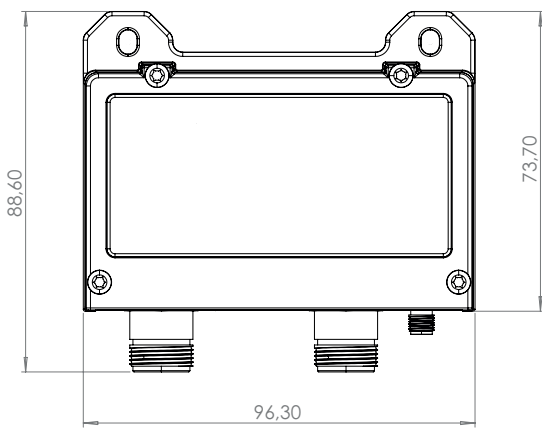
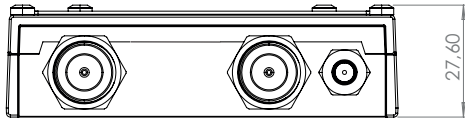
L-BAND

EXT REF

OTHER

Diplexer 10 MHz and L-band

Technical Drawing



Designed and
Manufactured



Professional Satcom Frequency Converters & Components. All products are fully CE and RoHS compliant and every unit includes full documentation of performance tests and quality control. Please contact sales@smw.se to configure or customize the unit to your needs. Visit smw.se or scan QR code to see our full product range and request a quote.

