

Ka LNB 17.30-22.30 GHz 2 Band

Key features



- Auto Switch between External or Internal reference
- High P1dB and IP3
- Excellent Phase noise meets all profiles of DVB-S2X.
- Customized LO as option
- Wide operating temperature range
- Alarm and Monitoring & Control as option

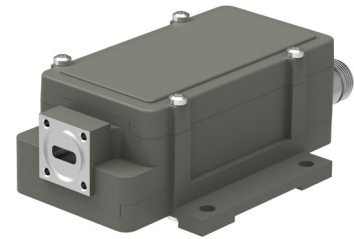


Description

The Ka-Band 2-Band LNBs are the choice for reception of one sub-band in the Ka Receive band 17.30 to 22.30 GHz.

SMW also offers Single band and 3 to 8 Multi-LO/sub-band switchable models, Ka Transmit band monitoring LNBs/BDCs/TLTs and LNA+BDCs systems for up to full Ka-Band simultaneous reception, with the same excellent performance and useful features.

Options include the daisy-chainable SMW M&C interface (RS-485/Modbus RTU), Sum alarm output, Customizable LOs, IF range up to 2150 MHz, Enclosure with additional fixing point and Waveguide input isolator for exceptional input matching.

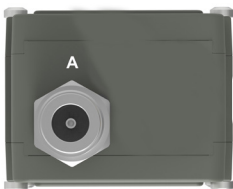


Optional enclosure fixing points



Optional Low loss isolator, std for LO 20.20 GHz and up VSWR 1.35:1 max.

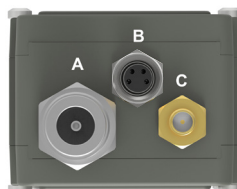
LNB connector (standard)



Connector A (standard)

Type: N female, (option F female or SMA female)
Functions: L-Band out, DC in, External 10 MHz in

LNB connectors (optional)



Connector B (optional)

Type: M8 female, 4 pin, A-coded
Functions: Alarm and M&C

Connector B (optional)



1 = Alarm open collector (max. 200 mA) or optionally DC input.
2 = A pos+ RS485
3 = B neg- RS485
4 = Common (GND)
5 = Shield

Connector C (optional)

Type: SMA female only
Functions: Ext. 10 MHz in and/or DC input



Explore our full product range in this category



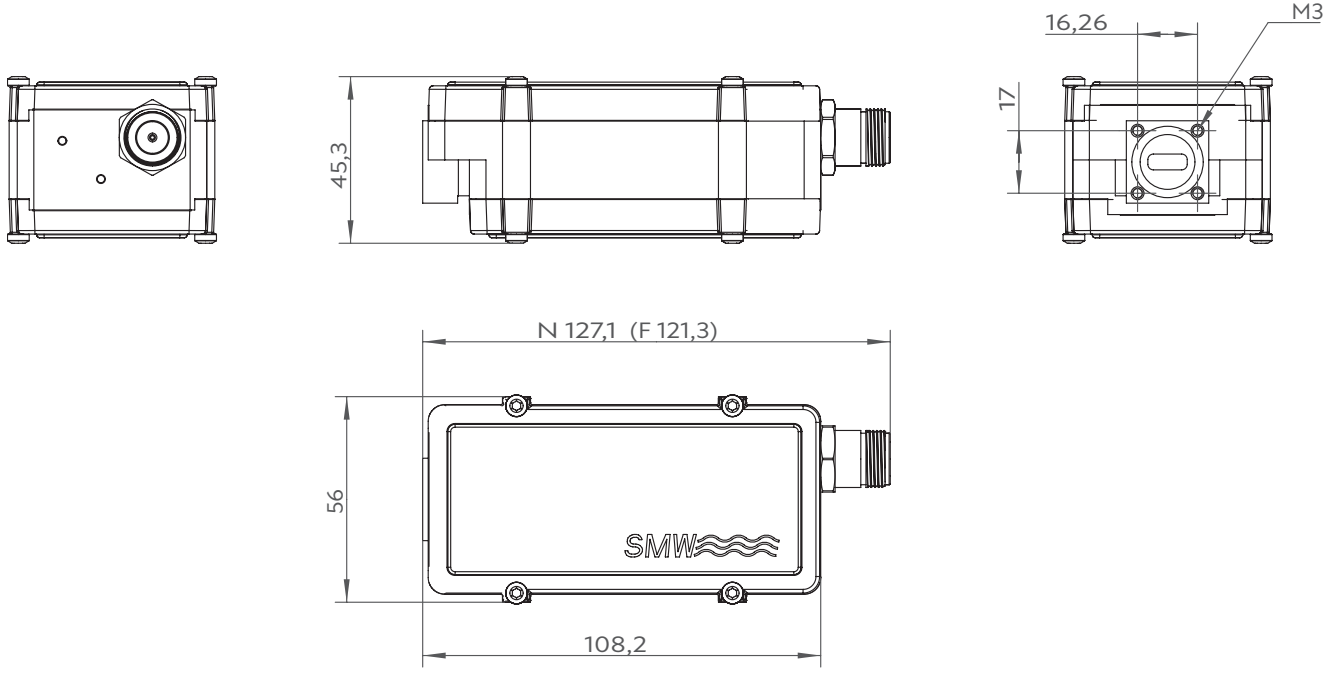
Ka LNB 17.30-22.30 GHz 2 Band

Technical specifications

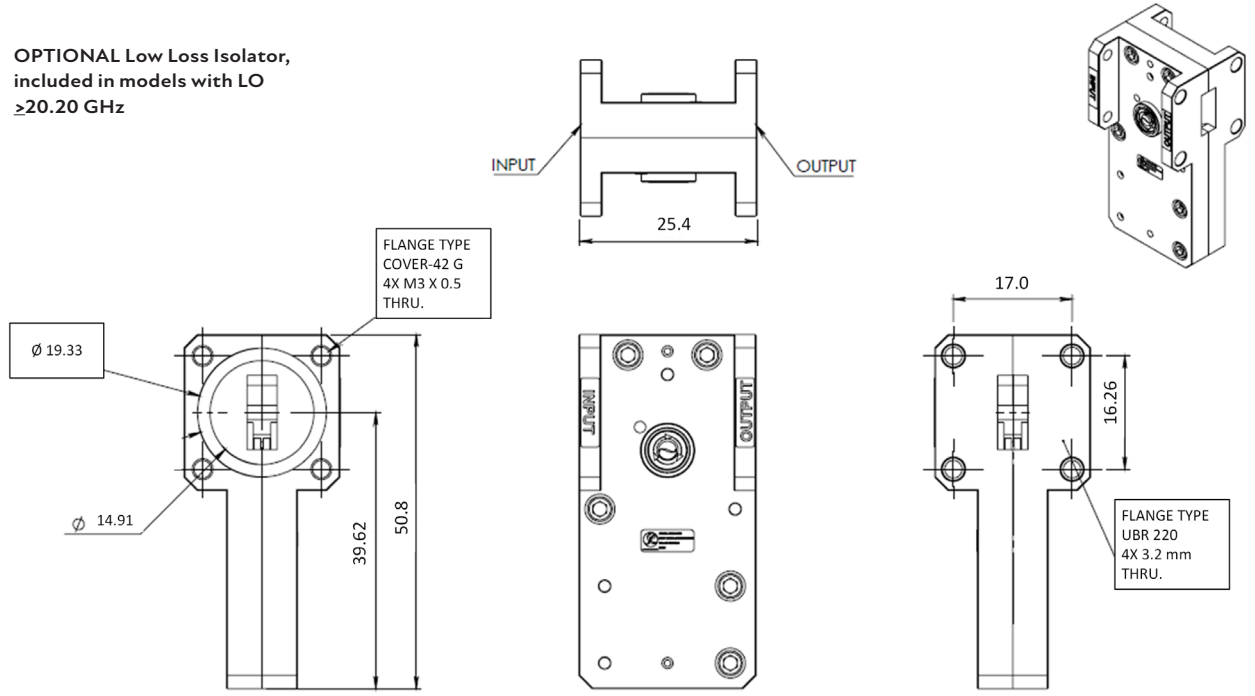
	MODELS/LO	16.80/17.40	17.20/18.20	17.25/18.25	17.45/18.25	18.20/19.20	18.25/19.25	19.20/20.20	19.25/20.25	
INPUT	Input freq. Band 1	17.75 - 18.75	18.20 - 19.20	18.20 - 19.20	18.40 - 19.20	19.20 - 20.20	19.20 - 20.20	20.20 - 21.20	20.20 - 21.20	
	Input freq. Band 2	18.35 - 19.35	19.20 - 20.20	19.20 - 20.20	19.20 - 20.20	20.20 - 21.20	20.20 - 21.20	21.20 - 22.20	21.20 - 22.20	
	IF MHz Band 1	950 - 1950	1000 - 2000	950 - 1950	950 - 1700	1000 - 2000	950 - 1950	1000 - 2000	950 - 1950	
	IF MHz Band 2	950 - 1950	1000 - 2000	950 - 1950	950 - 1950	1000 - 2000	950 - 1950	1000 - 2000	950 - 1950	
	Input	Flange PBR220, waveguide WR42								
	DC Input	+11 to +26 V through output connector or separate SMA connector (optional), power consumption 5W max. Band switching: 13 (11.5 to 14.0V) / 18V (16.0 to 26 .0V) or 22 kHz Tone (optional via Monitoring & Control)								
	Input max power	0 dBm instantaneous (not continuous)								
	Input VSWR	2.3:1 typ., optional 1.35:1 max. with Low Loss Isolator (included @ LO ≥20.20 GHz)								
	LO ref.	Auto LO ref. External 10 MHz ref / Internal ±2.5 ppm -40 to +80°C								
	External LO ref.	Sine wave, Level -10 to +10 dBm. Supplied through output connector.								
INTERNAL	LO Leakage	-60 dBm max. @ waveguide input, -40 dBm max. @ IF output								
	Gain	60 dB typ. (55dB min.)								
	Flatness	±0.4 dB within 30 MHz, ±1.5 dB max. full band								
	Noise figure	1.3 dB to 1.5 dB typ., increases with input frequency								
	Phase Noise	-35 dBc @ 10 Hz -65 dBc @ 100 Hz -80 dBc @ 1 kHz -85 dBc @ 10 kHz -95 dBc @ 100 kHz -112 dBc @ >1 MHz typ.								
	Integrated Phase Noise Models incl. 19.20 & 19.25	Single sideband phase noise integrated over the bandwidth from 10 Hz to 16 kHz relative to carrier center frequency: < 3.4° RMS (two-sided value <4.8° RMS)								
	Group delay	± 1ns max.								
	Out of band rejection	20 dB min.								
	Image Rejection	30 dB min.								
	IF output	950-1950 MHz or 1000-2000 MHz. Custom extended IF up to 2150 MHz.								
OUTPUT	Output P1dB	+15 dBm min.								
	Output IP3	+25 dBm min.								
	Output VSWR	1.7:1 typ.								
	Output Connector	N-type 50Ω , SMA-type 50Ω or F-type 75Ω								
GENERAL	Alarm (option)	Sum alarm, set via M&C to alarm in any combination of: LNA failure, Total current, LO lock (Ext/Int/n/a), signal power high/low, Supply voltage low. Open collector 3.3 to 28 V, max. 200 mA (pull-up 10 k Ohm at host side), pin 1 in M8 connector.								
	M&C (option)	Via MODBUS RTU RS485 electrical interface, see document Monitoring and Control technical interface for details. NOTE! Mates with M8 male connector/Cable, use only shielded CAT 5 cables								
	Dimensions	127x56x46 mm (N-connector, without Isolator), for other versions, please consult us.								
	Weight	354 g (N-connector)								
	MTBF	MTBF as per MIL-HDBK-217F Notice 2: Environmental Condition GF (Ground Fixed): >690000 hours, Environmental Condition AIC (Airborne, Inhabited, Cargo): >360000 hour, Quality level: Commercial, Temperature used for MTBF calculation: +35°C Ambient								
	Temperature range	Storage and operating: -40 to +80°C, -40 to +176°F								
	Miscellaneous	Enclosed conductive O-ring, mounting screws (M3 x 8) 4 pcs								
OPTIONS	<ul style="list-style-type: none"> - Separate SMA connector for DC input or Ext. 10 MHz reference - Alarm and Monitoring & Control - Customized gain - Customized LO and IF - Pressurizable 0.1 bar max. - Input frequency from 17.20 GHz 									

Ka LNB 17.30-22.30 GHz 2 Band

Technical Drawing



OPTIONAL Low Loss Isolator,
included in models with LO
≥20.20 GHz



Professional Satcom Frequency Converters & Components. All products are fully CE and RoHS compliant and every unit includes full documentation of performance tests and quality control. Please contact sales@smw.se to configure or customize the unit to your needs. Visit smw.se or scan QR code to see our full product range and request a quote.

